



# 150.2200 | 1-way Shower Trim Set With Pressure Balance Valve

### SPECIFICATIONS:

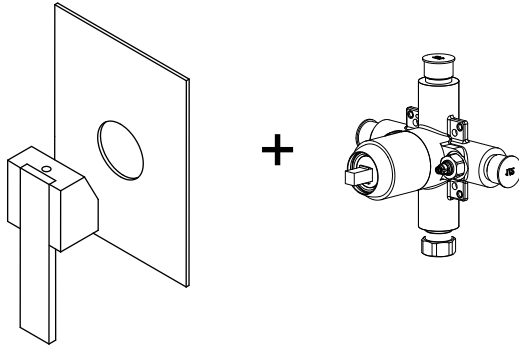
- Solid Brass Trim & Handle set
- Includes Pressure balance valve (PBV1005AS\*\*) w/ service stops
- Lift Handle to control volume. Turn left for hot, right for cold.
- All Parts replaceable from front of valve
- Pressure Balance Valve Flow Rate - 5.5 GPM @ 60 PSI
- Extension Available - PBV.E185\*\*

### FAST SHIP FINISHES :

- Chrome - 150.2200CP

### STANDARDS:

- ASME A112.18.1 / CSA B125.1



Trim  
[ 150.2200T\*\* ]

Valve  
[ PBV1005AS\*\* ]

\*\* Denotes Finish (CP Or BN)

Legislation Compliance

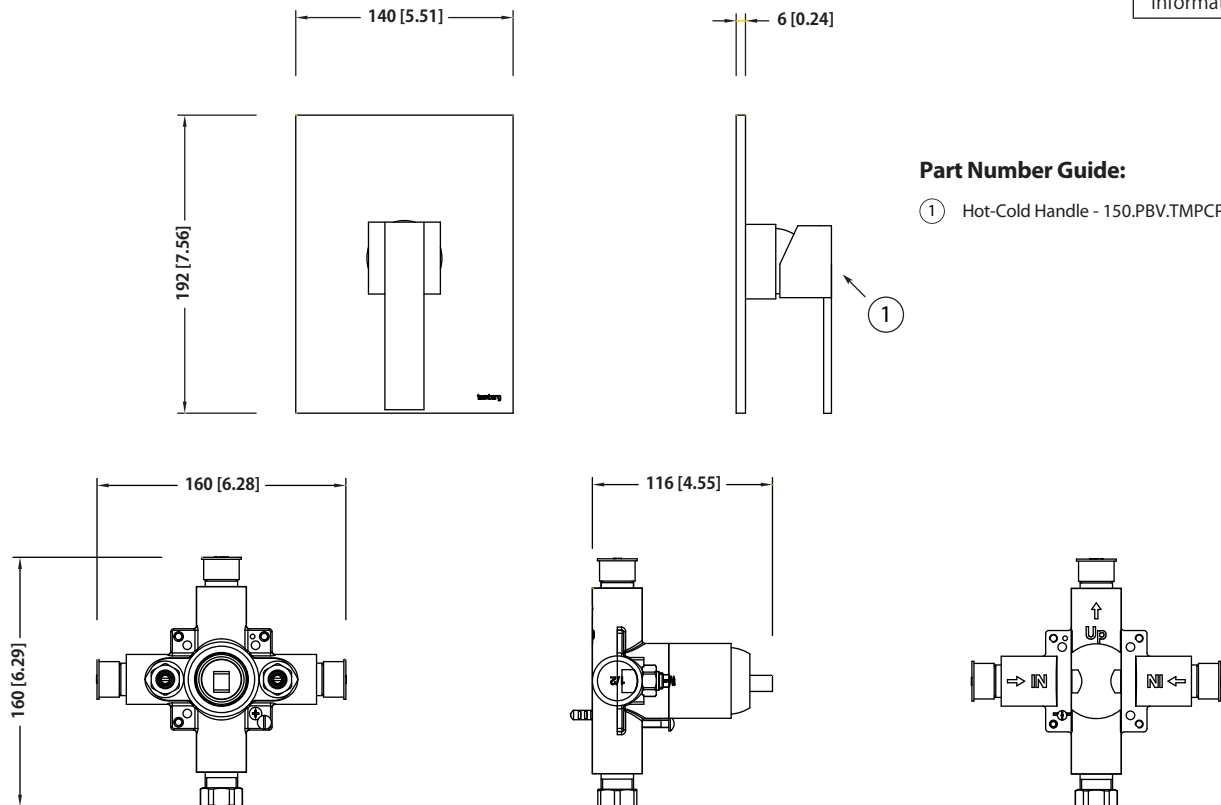


ZeroDrip Technology



### Technical Diagram

See Spec Sheet For  
PBV1005AS For Detailed  
Information On Valve.



### Part Number Guide:

- ① Hot-Cold Handle - 150.PBV.TMPCP - Chrome



**PBV1005AS | Single Control Pressure Balance Valve** Page 1 of 2

**SPECIFICATIONS:**

- Lift Handle to control volume. Turn left for hot, right for cold.
- Pressure Balance Valve Flow Rate - 5.5 GPM @ 60 PSI

**FAST SHIP FINISHES :**

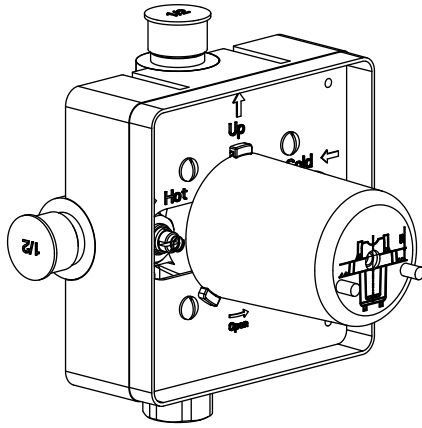
- Chrome - PBV1005ASCP / Brushed Nickel - PBV1005ASBN

**STANDARDS:**

- ASME A112.18.1 / CSA B125.1

**WARRANTY:**

- Limited lifetime warranty to the original consumer purchaser against finish and workmanship

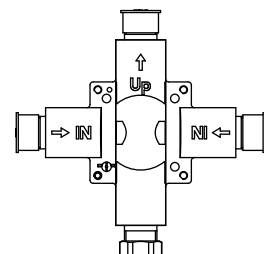
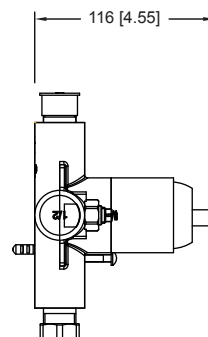
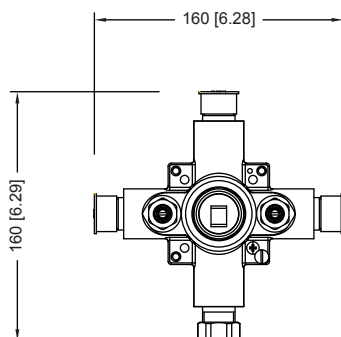
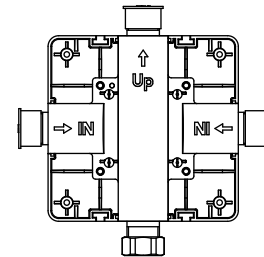
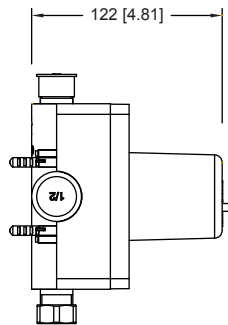
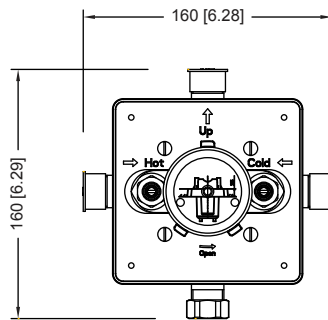


Legislation Compliance

ZeroDrip Technology



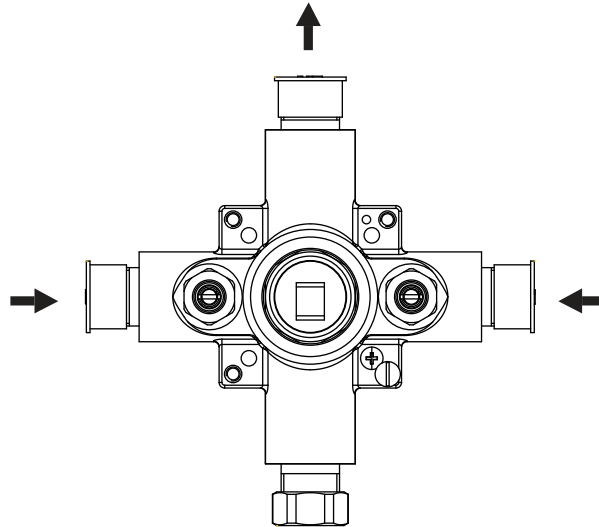
**Technical Diagram**



**PBV1005AS | Single Control Pressure Balance Valve** Page 2 of 2



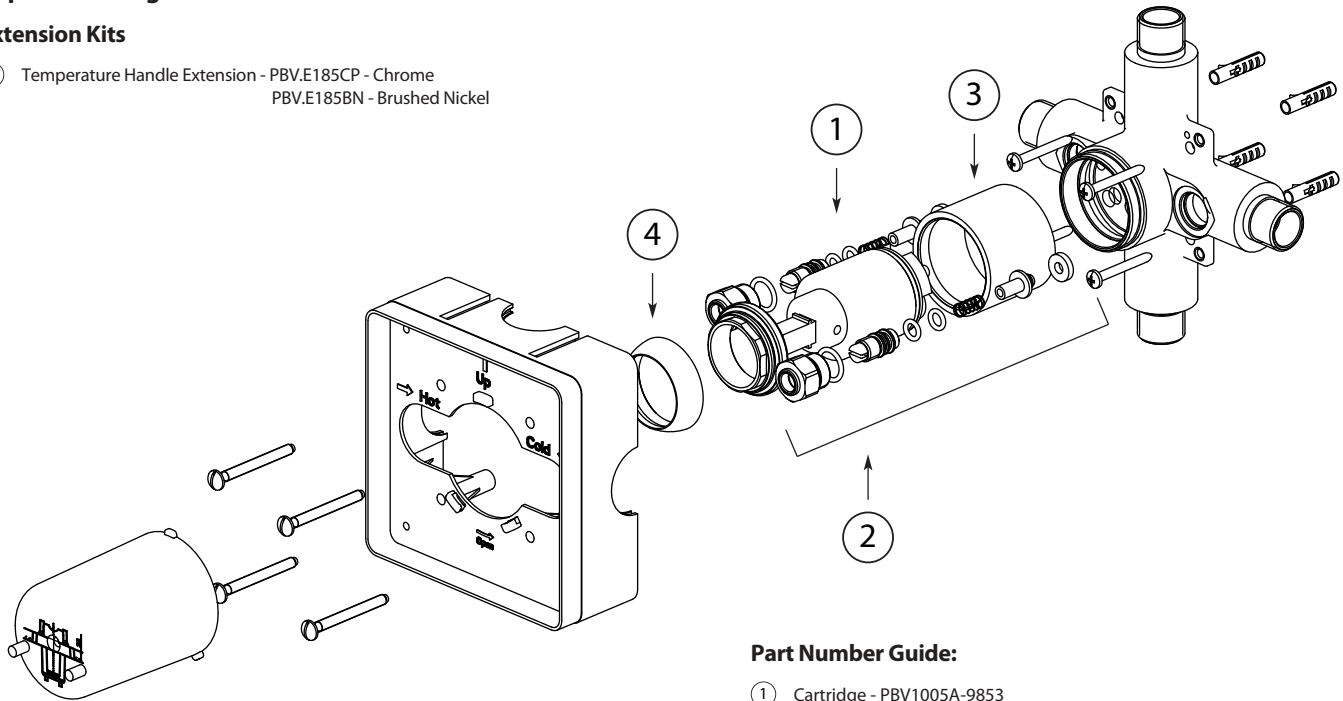
**Water Flow Diagram**



**Explosion Diagram**

**Extension Kits**

- a Temperature Handle Extension - PBV.E185CP - Chrome  
PBV.E185BN - Brushed Nickel



**Part Number Guide:**

- ① Cartridge - PBV1005A-9853
- ② Integral Stop Kit - PBV1005AS-1987
- ③ Cartridge Cover - 8002048-042CP - Chrome  
8002048-042BN - Brushed Nickel
- ④ Cartridge Bezel - 8002048-072CP - Chrome  
8002048-072BN - Brushed Nickel